

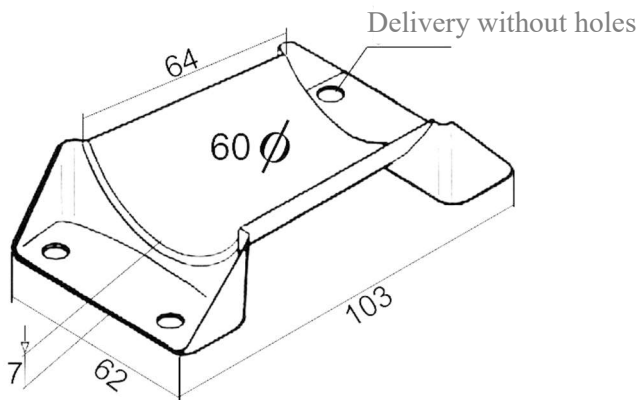
## Bracket for BOSCH fuel pump

**Article-No.: H-P 1000 0019 Aluminum holder (top)**  
**H-P 1000 0006 CFK bracket (bottom)**

The Bosch fuel pumps could be deformed when using cable ties to fix them. The current amperage and the fuel temperature may increase as well.

The pump can be fixed with the help of this bracket and thus prevents deformation and creates an environment in which the pump can work optimally.

**CFK bracket, 28 g**



**Aluminum holder, 19 g**

